



**INSTALLATION INSTRUCTIONS FOR 2016 - 2018
TOYOTA TACOMA 4WD AND PRERUNNER (Non-PRO)
3" COILOVER SUSPENSION KIT W/REAR BLOCKS
PART NUMBER 904**

WARNING!!! READ AND UNDERSTAND ALL INSTRUCTIONS BEFORE PROCEEDING. MAKE SURE THAT YOU HAVE ALL TOOLS AND PARTS BEFORE BEGINNING THE INSTALLATION.

SPECIAL TOOLS REQUIRED:
TIE ROD END PULLER

REVTEK SUSPENSION RECOMMENDS THAT RED LOCTITE BE USED ON ALL FASTENERS UNLESS OTHERWISE NOTED. IT IS ALSO RECOMMENDED TO HAVE THE FRONT END ALIGNMENT CHECKED AFTER INSTALLATION.

KIT CONTENTS INCLUDE:

- Instructions including parts list
- Product Safety Label
- Window decal
- Warranty
- Differential Spacer Kit

TORQUE SPECIFICATIONS

8MM FASTENERS	17 LBS.
10MM FASTENERS	30 LBS.
12MM FASTENERS	55 LBS.
9/16" U-BOLT	75 LBS.
LUG NUTS	75 LBS.

PARTS LIST INCLUDED IN KIT

<u>FRONT & REAR</u>	<u>QTY.</u>
ADJUSTABLE COILOVERS	2
STAINLESS STUDS	6
FLANGE NUTS	6
SPANNER WRENCH	1
U-BOLTS	4
U-BOLT WASHERS	8
U-BOLT NUTS	8
REAR BRAKE LINE EXTENDER	1
M8 HEX BOLT	1
REAR 1-1/4" BLOCKS W/PINS	2
REAR SHOCKS	2
<u>DIFFERENTIAL SPACER KIT</u>	
DIFFERENTIAL DROP SPACERS	2
1/2 - 13 X 6 GRADE 5 HEX BOLT (ZINC)	2
1/2 - 13 NYLOCK NUT (ZINC)	2
M8 X 1.25 X 35MM HEX BOLT (ZINC)	4
TALL SKID PAN SPACERS	2
SHORT SKID PAN SPACERS	2
M8 FLAT WASHERS (ZINC)	4

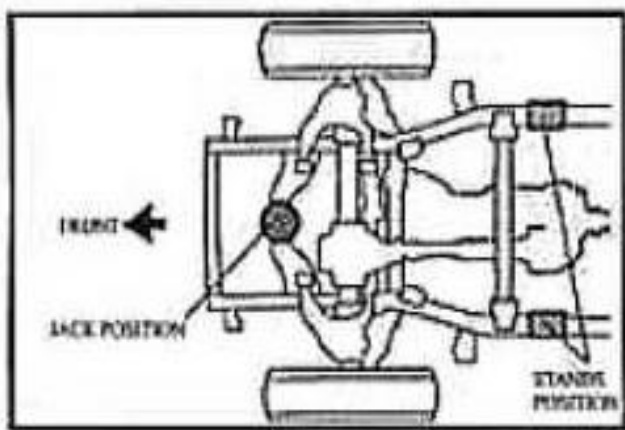
**PRODUCT SAFETY LABEL MUST BE INSTALLED INSIDE CAB
IN PLAIN VIEW OF ALL OCCUPANTS.**

FRONT OF VEHICLE

1. Park vehicle on level surface.
2. Center and lock the steering wheel.
3. Block the rear wheels of the vehicle to prevent vehicle from moving in either direction.
4. Jack up the vehicle from the lift point in Figure "A."
5. Support the vehicle with jack stands from the points in Figure "A."
6. Remove the front wheels.
7. Remove the nut (19mm) and bolt from the bottom of the strut.
8. Remove cotter key and (19mm) nut from outer tie rod end, separate the rack & pinion tie rod ends utilizing a tie rod end puller.
9. Be sure to remove and secure the ABS and brake lines to avoid damage.
10. Loosen the upper ball joint nut. Leave partially on to separate ball joint using a ball joint separating tool, then remove the nut and separate the upper A-arm from the spindle making sure not to over stretch your abs wires and brake lines.
11. Remove the three nuts (14mm) from the top of the strut. See Figure "B."
12. Remove the strut from the vehicle, it may be necessary to separate outer tie rod end from knuckle, and remove front sway bar for more clearance when removing the strut.
13. Your new supplied Revtek Adjustable coilover will come pre-assembled and set at a ride height of roughly 3" of lift. **(DO NOT EXCEED 3" OF LIFT OR WARRANTY IS VOID)**. Every vehicle is different depending on accessories so there might be more or less preload adjustment needed to sit at your desired height. We supply a spanner wrench and you will roughly achieve a 2 to 1 ratio on adjustment (Example: 1/4" of adjustment will equal 1/2" of lift). (If adjustment is made, make sure to lock the two adjustment rings together afterwards).
14. Example of assembled strut. See Figure "C"
15. Install the new supplied stainless studs into the top plate of your new shock using Loctite. Make sure they bottom out.
16. Reinstall the strut by reversing the removal procedure; Torque the new supplied flange nuts to 10 ft. lbs. **(DO NOT USE LOCTITE ON THE FLANGE NUTS)**
17. Replace the wheels; torque to wheel manufacturer's specs.

DIFFERENTIAL DROP SPACER KIT

1. Remove skid plate under the front of the vehicle. Save the OEM bolts.
2. Remove factory 19mm x 5" long bolts and nuts, supporting the front differential. (See Figure "1"). Save the OEM washers for step 3.
3. Remove the front cross member to radiator support bars. You may need to trim the side of the drivers' side support bar to clear the differential support bar once installed. (See Figure "4" & "5")
4. Install the large Revtek spacers between the two front differential supports and front cross-member. Fasten to cross-member using new 1/2 x 6 1/2" long bolts and nuts (making sure to reuse the factory washers), (See Figure "2".)
5. Place 1 tall spacer on each side of the rear of the front skid plate between plate and frame. This will allow additional clearance for relocated differential. Use the longer 8MM bolts and washers provided. If vehicle has optional rear differential skid plate, then use the short spacer supplied on the front of the rear plate with the longer bolt with washers here as well. (See Figure 3)
6. Torque skid plate bolts to specs. (You may need to adjust the skid plate holes.)



REAR OF TACOMA

1. Place vehicle on level concrete surface.
2. Block front wheels to prevent vehicle from moving in either direction.
3. Make sure parking brake is off.
4. Lift the truck from the center of the rear differential housing, leaving the jack in place to support the differential.
5. Support the vehicle with jack stands on both sides of the frame just in front of the rear tires.
6. Remove the rear wheels.
7. Remove the bolt holding the rear brake line bracket to the axle housing and install the supplied aluminum brake line spacer and new bolt supplied. This will be just to the left of the center on the axle housing. See Figure “6”.
8. Remove the factory rear shock mounting bolts and then remove the shock. Save the lower hardware.
9. (Doing one side at a time) Remove the rear U-bolts, and then carefully lower the axle until you have about 3” between the bottom of the spring pack and the axle pad. Make sure none of your brake lines are too tight! This will allow you enough room to insert the new supplied lift block between the rear spring pad and leaf pack; making sure that the locating pin faces down and inserts into the axle spring perch and also that the small end of the taper faces towards the front of the vehicle. These blocks have a slight taper machined into them to eliminate driveline angles. (MAKE SURE TAPER OR SMALL END OF BLOCK FACES TOWARDS THE FRONT OF THE VEHICLE). See Figure “7”.
10. Raise the axle with the floor jack to put enough pressure to hold the spring pack to the block and the block to the axle, while making sure the center pin is seated properly in the axle housing hole.
11. Reinstall the new supplied U-bolts, washers, nuts and torque to 90 FT Lbs.
12. Repeat these steps on the other side and torque to 90 FT LBS as well.
13. After both sides are complete, raise the axle to allow installation of the new supplied Revtek shocks using the factory lower bolt and torque to factory specs.
14. Reinstall the tires and wheels and torque to wheel manufacturers specs.



Figure C.



Figure 1



Figure 2



Figure 3



Figure 4



Figure 5



Figure 6.

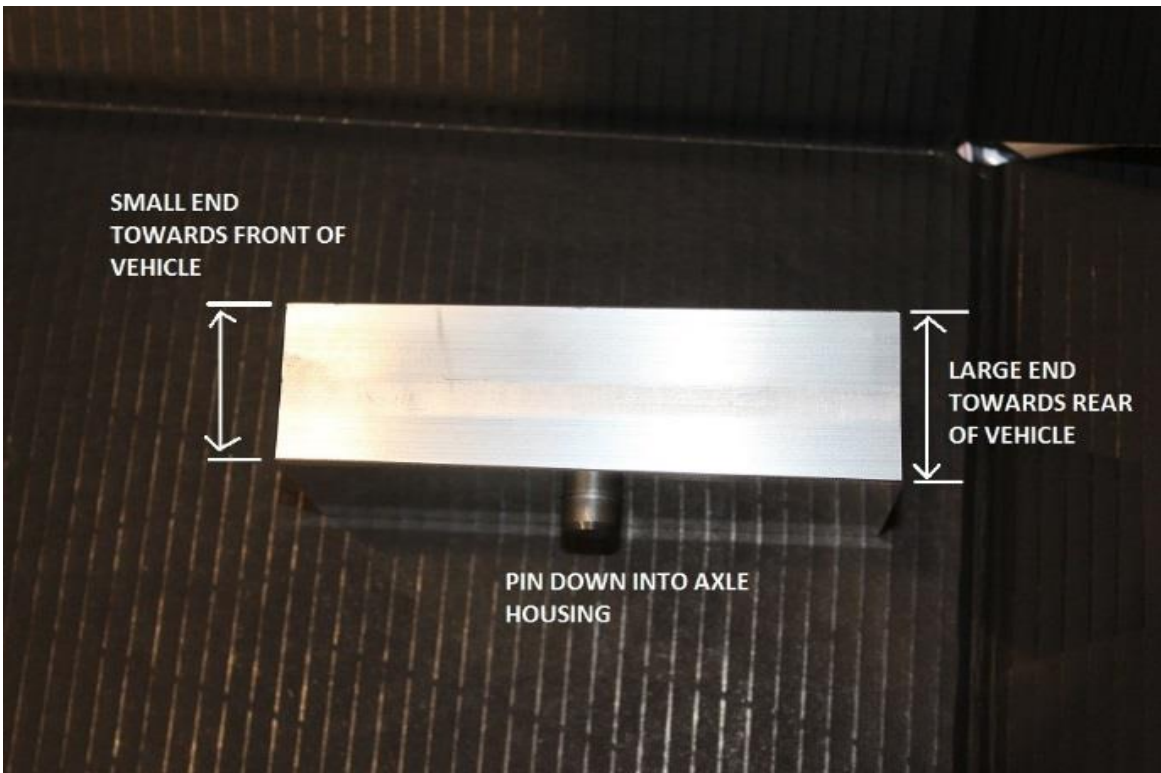


Figure 7.

Important Installation Notes:

- Manufacturing tolerances do create certain variations that we cannot fully account for. At times you may need to use a punch, or pry bar to get holes to line up. Also you may need to slightly enlarge a hole to create a proper alignment. These are all normal situations.
- Altering your suspension may change the way your vehicle handles. Care must be taken to operate your vehicle safely.
- Adding large wheels and tires, will change how your suspension operates. It may put extra strain on certain components causing them to wear sooner than normal.
- While every effort is made to design our kits to work within factory geometry, there are situations where additional alignment tools like adjustable or replacement components may be needed. This is normal.
- It is possible when changing the driveline angles that a vibration may occur, and require an adjustment to repair this situation.
- Other modifications may be needed due to optional equipment on the vehicle or other prior modifications that have been made.
- All fasteners should be checked and retightened after 500 miles. After the initial recheck, they should be checked and tightened as needed with every following service.
- Once the installation is complete a thorough road test should be performed to verify proper clearance of all items.
- Revtek Suspension kits are not designed for race applications.
- Altering the suspension on your vehicle may change the characteristics of some systems such as: fuel economy, transmission shift points, etc.
- While Revtek systems are designed to work within all factory specifications and tolerances, there are some situations where exceeding the capability of the vehicle such as load capacity or speed will result in some undesirable results. If you overload your vehicle it will not handle correctly. If you drive or turn with excessive speed your vehicle will handle differently and some onboard vehicle systems may detect this and take appropriate action.
- Our tire and wheel fitments are only a guideline. Different production times or tolerances will vary and this sizes should only be used as a starting point. Each vehicle is different and will need to be treated as such.
- Our lift heights can vary slightly based on manufacturing tolerances. Some vehicles will exhibit slightly different amounts of lift heights and different final heights. Every vehicle is not identical and every vehicle will not be perfectly the same at all four corners.
- Once your vehicle is lifted components may wear faster, this is normal. A lifted vehicle is exerting more stress on most components and therefor causing them to wear faster.
- After altering the height of your vehicle, you should aim the headlights for proper coverage.
- The use of Loctite on fasteners is highly recommended.



Limited Lifetime Warranty

Revtek Suspension products are warranted to be free from material and workmanship defects for as long as the original retail purchaser owns the vehicle upon which such products were originally installed (proof of purchase required). The consumer will be responsible for removing from the vehicle and returning any defective item, freight prepaid, and for reinstallation. This warranty is non-transferable. Revtek Suspension's limit of liability under this warranty is to repair or replace the product at Revtek Suspension's option. Consequential costs such as, but not limited to labor fees, loss of use, loss of time or freight charges are not covered. Any product that has been abused, altered incorrectly installed, or used in competition is not covered. Product finish is excluded from this warranty. Items that are subject to wear are not considered defective when worn and are not covered. The warranty is void if the "Warning to Driver" decal is not properly displayed on the vehicle. No other warranties are expressed or implied. We reserve the right to make changes in design, materials, and specifications without prior notice.

This warranty gives you specific legal rights and you may also have other rights which may vary from state to state. Some states do not allow limitations on how long an implied warranty lasts or allow the exclusion or limitation of incidental or consequential damages, the above limitation or exclusion may not apply to you.

Other than stated above, there are no warranties.

SELLER DISCLAIMS ANY IMPLIED WARRANTY OF MERCHANTABILITY

SELLER DISCLAIMS ANY IMPLIED WARRANTY OF FITNESS FOR A PARTICULAR PURPOSE

This warranty to be free from material and workmanship defects shall not apply to any product which has been improperly installed modified or customized and does not apply to any components used for racing purposes or racing type activities.

To make a claim under this warranty to be free from material and workmanship defects, contact Revtek Suspension about the problem prior to removing any parts from the vehicle. If it appears that the part is warrantable, you will be given a Return Authorization (RA) number and asked to return the part freight prepaid. If the part is found to be warrantable, it will be repaired or replaced and returned to you. All freight charges are the customer's responsibility. If a replacement part is needed before the part in question can be returned, you must first purchase the replacement part. Then if the part in question is deemed warrantable, you will be credited / refunded.

Shocks and bushings are considered to be wear items. As such, they will be covered for a period of 12 months from the original installation. Any failure outside of 12 months will be considered typical wear.

REVTEK SUSPENSION, LLC 503-659-1650
2800 Taylor Way BLDG 2A, Forest Grove, OR 97116